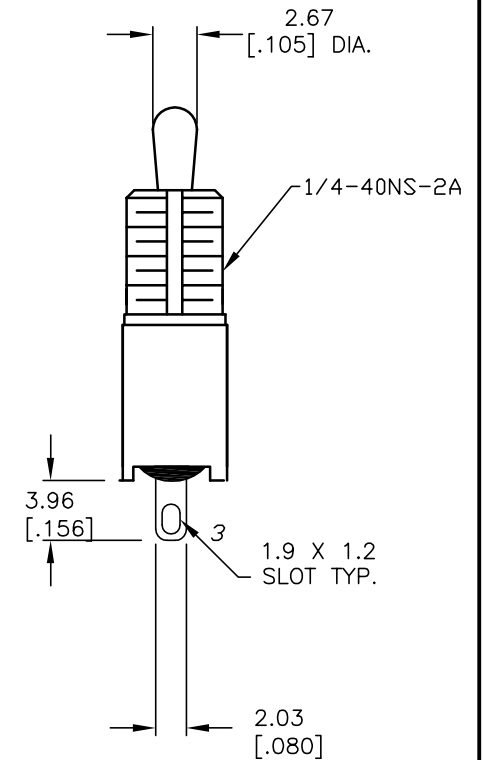
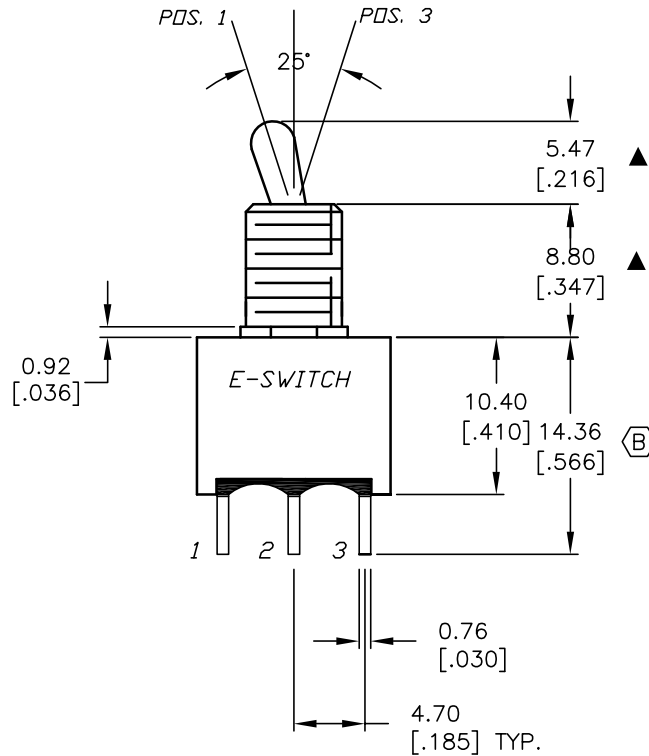


CIRCUIT: SPDT

| SWITCH FUNCTION | | |
|-----------------|--------|--------|
| PDS. 1 | PDS. 2 | PDS. 3 |
| | | |
| DN | NONE | DN |
| 2-3 | OPEN | 2-1 |

NOTES:

1. ALL DIMENSIONS IN MM [INCH]
2. GENERAL TOLERANCE: X.X=±0.4
X.XX=±0.25
3. TERMINAL NUMBERS FOR REF ONLY
4. RATING: 5A @120VAC or 28VDC
2A @250VAC (w/RESISTIVE LOAD)
- ▲ 5. FIXED TERM. & MOVING CONTACT:
Cu Alloy w/Silver plate
6. ELECTRIC LIFE: 40,000 make-and-break cycles
at full load.
7. INSULATION RESISTANCE: 1,000 Mega-ohm min.
8. DIELECTRIC STRENGTH: 1,000 V RMS @sea level.
9. OPERATING TEMP.: -30°C to 85°C
10. ▲ DENOTES CRITICAL PARAMETER.



| | | | |
|------------------|---------|---------------------------------|---------|
| E-SWITCH® | | | |
| TITLE | | 100AWSP1T2B1M1QE | |
| SCALE | DATE | DR | DWG |
| 2:1 | 9/2/04 | AR | T101034 |
| REV. | ECN No. | DESCRIPTION | DATE |
| B | 14334 | 10.4 WAS 10.54, 14.36 WAS 15.34 | 9/21/04 |
| A | 14285 | RELEASED FOR PRODUCTION | 9/2/04 |
| REV | ECN No. | DESCRIPTION | DATE |
| B | 14334 | 10.4 WAS 10.54, 14.36 WAS 15.34 | 9/21/04 |

THE INFORMATION CONTAINED IN THIS DOCUMENT IS PROPRIETARY TO E-SWITCH AND IS NOT TO BE COPIED OR TRANSFERRED